



**AMERISTAR®
GATE SYSTEMS**

www.ameristargates.com | 888-333-3422

6050AGS/6100AGS VEHICULAR

SWING GATE OPERATOR



pad mount



post mount



entrapment prevention system
reverses gate on contact



smooth operation
no slamming when gate closes



arm joint cover
helps eliminate pinch points

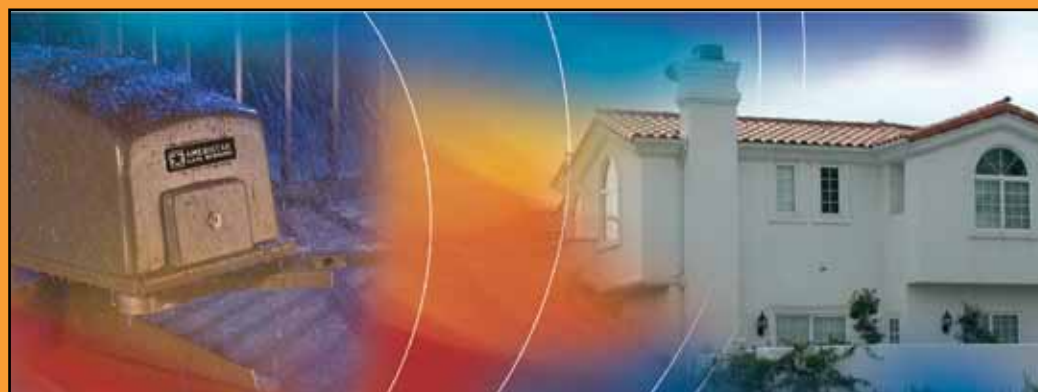


unique design
simplifies installation and provides easy access to all internal parts

- Electronic magnetic limits eliminate old style mechanical switches that can wear out, break or fail
- Automatic self-setting limits mean no limit switch adjustments – ever
- Safety – built-in mechanical and electronic reverse system
- Advanced microprocessor control board features programming switches to set the mode of operation required and has ports for AGS plug-in loop detectors to simplify wiring
- Polyurethane cover protects all critical components from the environment
- G90 galvanized steel frame prevents rusting
- This operator meets or exceeds the requirements of the UL 325 and UL 991 safety standards and is ETL Listed
- 5-year limited warranty

FEATURES

ACCESS CONTROL SOLUTIONS

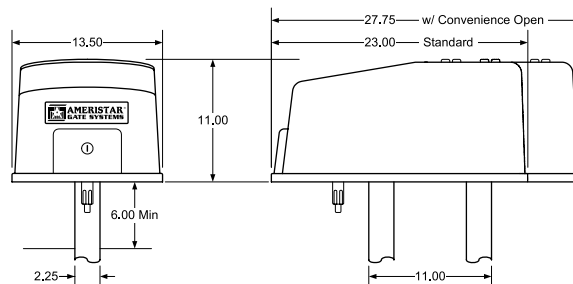
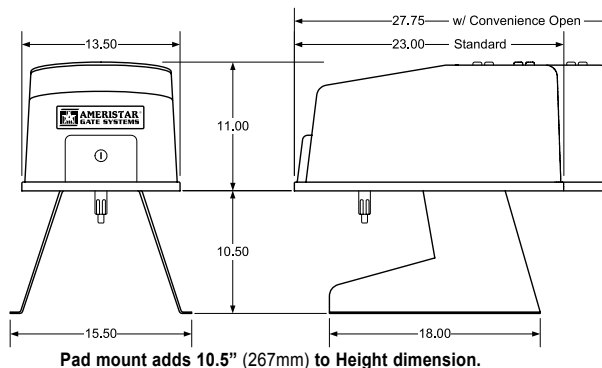




www.ameristargates.com | 888-333-3422

6050AGS/6100AGS VEHICULAR SWING GATE OPERATORS

The 6050AGS and 6100AGS swing gate operators offer convenience, reliability and quiet operation in an aesthetically pleasing design. These operators are ideally used for residential and commercial applications for both single and bi-parting gate operation. The unique design of these operators allow the gate arm to rotate from underneath the operator, creating an aesthetically pleasing installation and allowing the arm to attach to the bottom rail of the gate, were it is virtually unseen from outside the gate. This is an important feature since attaching the gate arm here does not require any unsightly cross bars to be welded to the gate and the bottom rail is one of the strongest points on the gate. These operators are designed to be pad or post mounted to meet almost any installation requirement.



Post mount operator Height is adjustable by the installer.

6050AGS/6100AGS 1/2 HP

13.5" W x 11" H x 23" D
343mm W x 279mm H x 584mm D

6100AGS 1/2 HP with Convenience Open package

13.5" W x 11" H x 27.75" D
343mm W x 279mm H x 705mm D

6050AGS Specs

Class of operation	Max Gate Length *	Max Gate Weight *	HP	Power
I	10 Ft	400 Lbs. limited duty	1/2HP 10 cycles/hr	115 VAC, 60 Hz, 4.3A
3.05 m	181.5kg			

6100AGS Specs

Class of operation	Max Gate Length *	Max Gate Weight *	HP	Power	Convenience Open Package Optional
I, II, III, IV	14 Ft	500 Lbs.** continuous duty	1/2HP 60 cycles/hr	115 VAC, 60 Hz, 5.4A	factory installed DC powered drive system provides an automatic method to open a gate when primary (AC) power fails
4.26 m	227 kg				

* Assumes gate and hardware to be in good condition and swinging in a level plane

** 400 Lbs. with Convenience Open option

General Specs

Mechanical

Primary Reduction: Pulley/belt driving a worm gear

Speed: Rotates gate 90° in approximately 10-12 seconds

Frame: G90 galvanized steel to prevent rusting

Arm: Articulating arms to allow mechanical slow start / slow stop

Mounting: Pad or post mount – specify which when ordering

Manual Release

Keyed padlock provided

Clutch can be back-driven to allow fail-safe release

Safety

External obstruction sensing devices must be used with this operator

Advanced Features

Automatic limit adjustment

Auto-close timer 1-23 seconds

Gate overlap feature for bi-parting gate operation

Includes primary and built-in secondary entrapment prevention system

Tamper protect feature

Built-in On/Off switch

Built-in alarm reset switch

Operator data output for connection to companion AGS access control system

Selectable shadow / reverse loop function

Magnetic lock output

Ports for plug-in open and reverse loop detectors. AGS plug-in detectors only.

Safety Standards

Complies with the UL 325 and UL 991 safety standards

ETL listed

Operating Temp

10°F to 140°F

12°C to 62°C

Heater kit recommended for colder environments

Shipping Weight

Approximately 100-140 lbs(45-63 kg) Depending on model and options selected.

Warranty

5 year limited factory warranty

Distributed by:

AMERISTAR® GATE SYSTEMS

1555 N. MINGO RD. TULSA, OK 74116 tel. 888.333.3422 fax. 877.926.3747 www.AMERISTARGATES.com
© 2012 All Rights Reserved. Product specifications may change without notice. Rev. 9/12

MEMBER:

