



DEPARTMENT OF REGULATORY AND ECONOMIC RESOURCES
BOARD AND CODE ADMINISTRATION DIVISION

MIAMI-DADE COUNTY
PRODUCT CONTROL SECTION
11805 SW 26 Street, Room 208
Miami, Florida 33175-2474
T (786) 315-2590 F (786) 315-2599

www.miamidade.gov/economy

NOTICE OF ACCEPTANCE (NOA)

Barrette Outdoor Living, Inc.
740 North Main Street
Bulls Gap, TN 37711

SCOPE:

This NOA is being issued under the applicable rules and regulations governing the use of construction materials. The documentation submitted has been reviewed and accepted by Miami-Dade County RER- Product Control Section to be used in Miami Dade County and other areas where allowed by the Authority Having Jurisdiction (AHJ).

This NOA shall not be valid after the expiration date stated below. The Miami-Dade County Product Control Section (In Miami Dade County) and/or the AHJ (in areas other than Miami Dade County) reserve the right to have this product or material tested for quality assurance purposes. If this product or material fails to perform in the accepted manner, the manufacturer will incur the expense of such testing and the AHJ may immediately revoke, modify, or suspend the use of such product or material within their jurisdiction. RER reserves the right to revoke this acceptance, if it is determined by Miami-Dade County Product Control Section that this product or material fails to meet the requirements of the applicable building code.

This product is approved as described herein, and has been designed to comply with the High Velocity Hurricane Zone of the Florida Building Code.

DESCRIPTION: Extruded PVC Vinyl Fencing

APPROVAL DOCUMENT: Drawing No. 13-0625.03, titled "PVC Fence Pre-Built Panel Style", sheets 1 through 7 of 7, prepared by Barrette Outdoor Living, Inc., dated April 24, 2014, signed and sealed by Thomas Alan Dixon, P.E., on April 24, 2014, bearing the Miami-Dade County Product Control Approval stamp with the Notice of Acceptance number and the approval date by the Miami-Dade County Product Control Section.

MISSILE IMPACT RATING: None

LABELING: Each fence section shall bear a permanent label with the manufacturer's name or logo, city, state and the following statement: "Miami-Dade County Product Control Approved", unless otherwise noted herein.

RENEWAL of this NOA shall be considered after a renewal application has been filed and there has been no change in the applicable building code negatively affecting the performance of this product.

TERMINATION of this NOA will occur after the expiration date or if there has been a revision or change in the materials, use, and/or manufacture of the product or process. Misuse of this NOA as an endorsement of any product, for sales, advertising or any other purposes shall automatically terminate this NOA. Failure to comply with any section of this NOA shall be cause for termination and removal of NOA.

ADVERTISEMENT: The NOA number preceded by the words Miami-Dade County, Florida, and followed by the expiration date may be displayed in advertising literature. If any portion of the NOA is displayed, then it shall be done in its entirety.

INSPECTION: A copy of this entire NOA shall be provided to the user by the manufacturer or its distributors and shall be available for inspection at the job site at the request of the Building Official.

This NOA consists of this page 1, evidence submitted page E-1 as well as approval document mentioned above. The submitted documentation was reviewed by **Helmy A. Makar, P.E., M.S.**



Helmy A. Makar
05/08/2014

NOA No. 13-0625.03
Expiration Date: 05/08/2019
Approval Date: 05/08/2014

Barrette Outdoor Living, Inc.

NOTICE OF ACCEPTANCE: EVIDENCE SUBMITTED

A. DRAWINGS

1. *Drawing No. 13-0625.03, titled " PVC Fence Pre-Built Panel Style ", sheets 1 through 7 of 7, prepared by Barrette Outdoor Living, Inc., dated April 24, 2014, signed and sealed by Thomas Alan Dixon, P.E., on April 24, 2014.*

B. TESTS

1. *Test Report on PVC Fence Systems issued by Architectural Testing, Report # C2613.01-119-18, dated November 28, 2012, signed and sealed by Gary T. Hartman, P.E.*

C. CALCULATIONS

1. *Calculation based on FBC 2010, 3 pages, dated September 14, 2012, signed and sealed by Thomas Alan Dixon, P.E., on September 19, 2012.*
2. *Calculation based on FBC 2010, 2 pages, dated November 13, 2012, signed and sealed by Thomas Alan Dixon, P.E., on November 13, 2012.*

D. QUALITY ASSURANCE

1. *By Miami-Dade County Department of Regulatory and Economic Resources.*

E. MATERIAL CERTIFICATIONS

1. *None.*



Helmy A. Makar, P.E., M.S.
Product Control Unit Supervisor
NOA No. 13-0625.03
Expiration Date: 05/08/2019
Approval Date: 05/08/2014

WIND LOAD RATING

THIS FENCE, ITS VERTICAL SUPPORTS AND FOUNDATIONS, ARE IN COMPLIANCE WITH 2010 FLORIDA BUILDING CODE SEC.1615.2.1; ASCE 7-10 SEC.29.4.1. THIS FENCE IS APPROVED FOR SUSTAINED WIND VELOCITY OF 75MPH (115MPH FOR 3 SECOND GUST) WHEN THE MAXIMUM POST CENTERS ('L') ARE LOCATED 72" ON CENTER.

PVC MATERIAL SPECIFICATIONS

ASTM Cell Classification : 1-40323-13-001 (D4216)

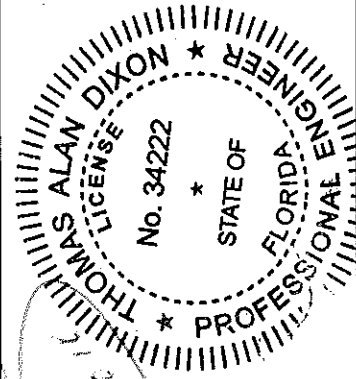
Specifications	Value	ASTM
Specific Gravity (± 0.02) Specimen	1.45	D-792
Izod Impact Ft/lbs/in notch	17.0	D-256
Tensile Yield Strength, PSI	6,200	D-638
Tensile Modulus, PSI	365,000	D-638
Flexural Yield Strength, PSI	12,000	D-790
Flexural Modulus, PSI	410,000	D-790
TiO ₂ - Titanium Dioxide UV Inhibitor	72	D-648
	107/100	

PVC FENCE (PRE-BUILT PANEL STYLE)
48"X72" BISCAYNE PANEL, WHITE

SKU # 73013991

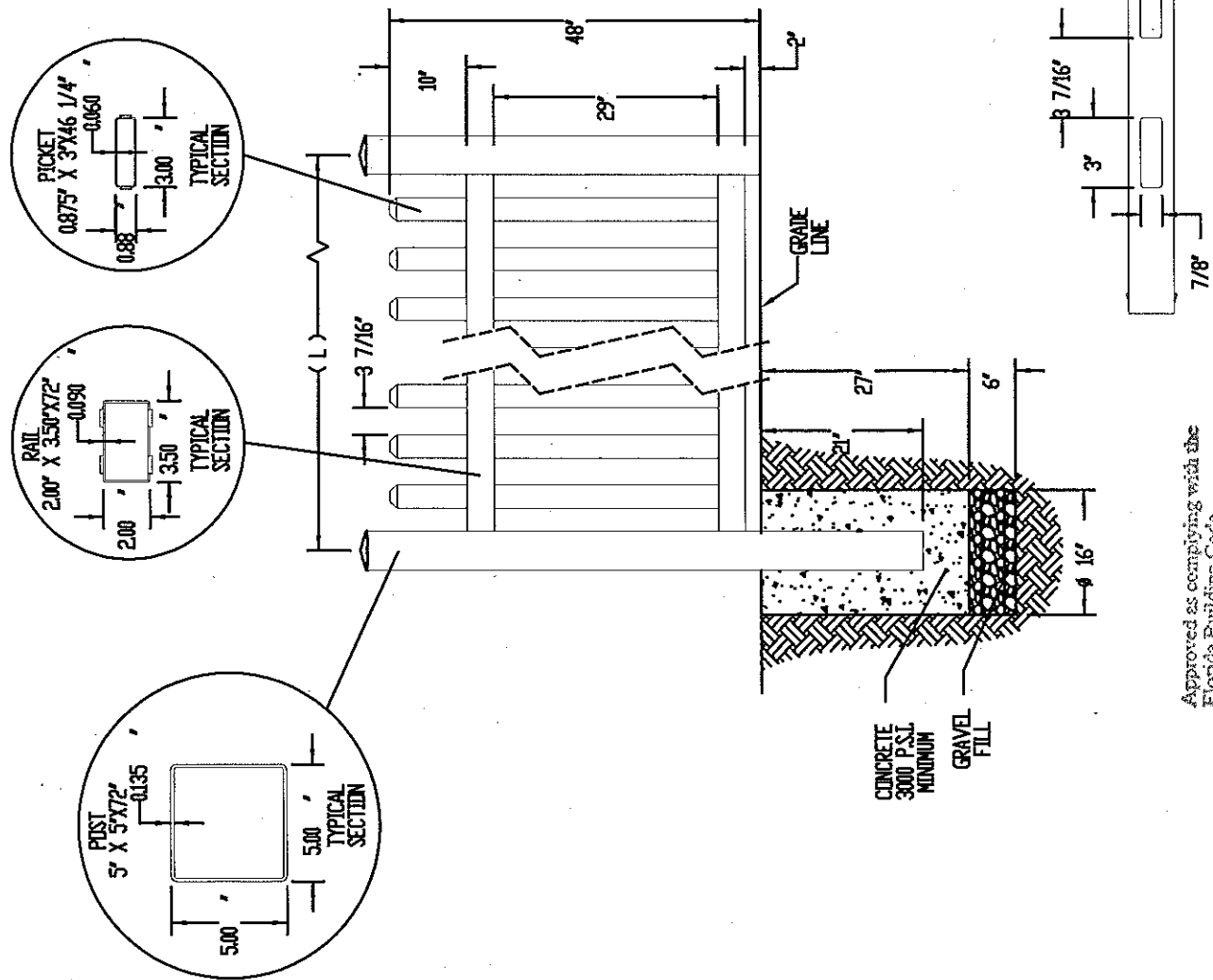
DATE : 9/20/2012

BARRETTE OUTDOOR LIVING
7830 FREEWAY CIRCLE
MIDDLEBURG HEIGHTS, OH 44130
440-891-0790



Thomas A. Dixon, P.E., S.I., STSI
FL License No. 34222
Dixon Engineering & Inspection
FL Certificate of Authorization #8195
10410 Main St, Thomotasso, FL 33592
Ph: 813-982-9865 Fax: 813-982-2306

DWG.#13-0625.03
SHT. # 1 OF 7



TYPICAL TOP & BOTTOM
RAIL ROOT FOR PICKETS

Approved as complying with the
Florida Building Code
Date 05/09/2014
NOA# 13-0625.03
Miami Dade Product Control
By He G. [Signature]

WIND LOAD RATING

THIS FENCE, ITS VERTICAL SUPPORTS AND FOUNDATIONS, ARE IN COMPLIANCE WITH 2010 FLORIDA BUILDING CODE SEC.1615.2.1; ASCE 7-10 SEC.29.4.1. THIS FENCE IS APPROVED FOR SUSTAINED WIND VELOCITY OF 75MPH (15MPH FOR 3 SECOND GUST) WHEN THE MAXIMUM PIST CENTERS ('L') ARE LOCATED 72' ON CENTER.

PVC MATERIAL SPECIFICATIONS

ASTM Cell Classification	Value	ASTM
1-40323-13-0101 (M4216)	1.45	D-792
	17.0	D-256
	6,200	D-638
	365,000	D-638
	12,000	D-790
	410,000	D-790
	72	D-648
	10/100	

Specifications

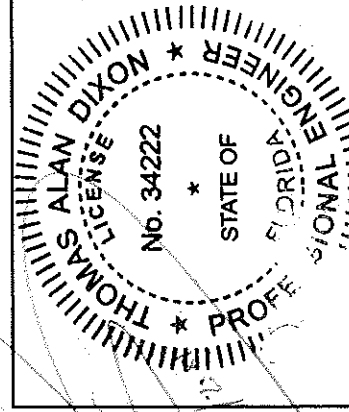
Specific Gravity (± 0.02) 0.925' Specimen
 Izod Impact FT/lbs/in notch
 Tensile Yield Strength, PSI
 Tensile Modulus, PSI
 Flexural Yield Strength, PSI
 Flexural Modulus, PSI
 IJTL E264 PSI, Degrees Celsius
 TUBE - Titanium Dioxide UV Inhibitor

PVC FENCE (PRE-BUILT PANEL STYLE)
 48"X72" SANIBEL PANEL, WHITE

SKU# 73013993

DATE : 9/21/2012

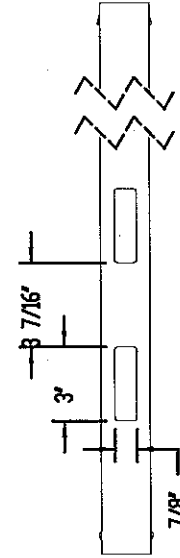
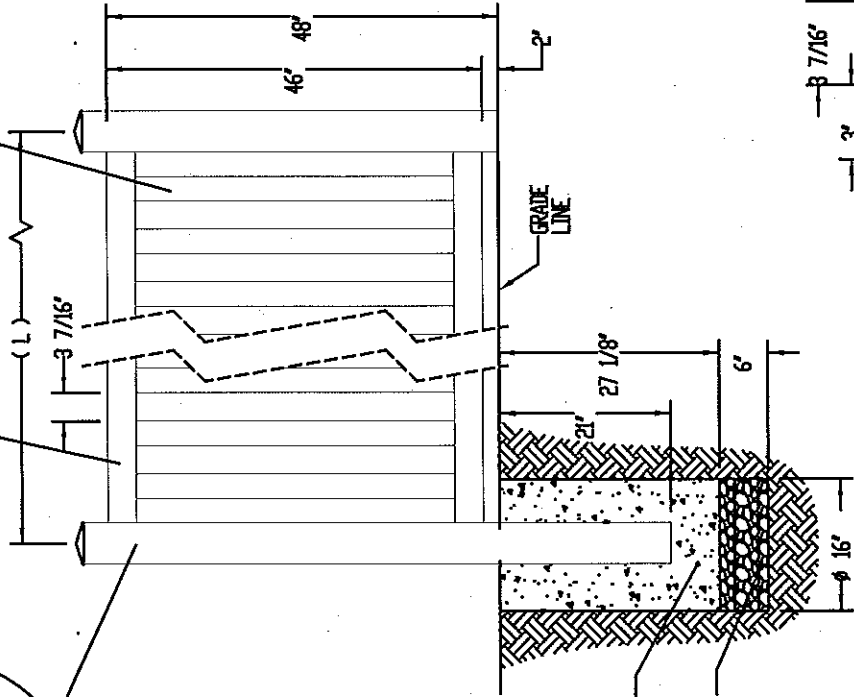
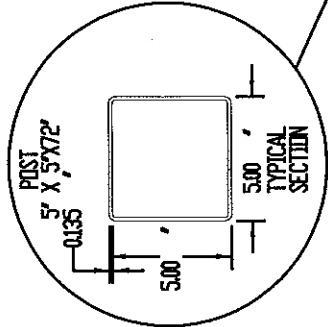
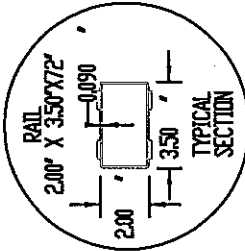
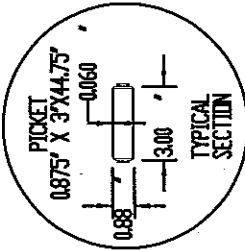
BARRETTE OUTDOOR LIVING
 7830 FREEWAY CIRCLE
 MIDDLEBURG HEIGHTS, OH 44130
 440-891-0790



Thomas A. Dixon, P.E., S.I., S.E.S.I.
 FL License No. 34222
 Dixon Engineering & Inspection
 FL Certificate of Authorization #8195
 10410 Math St, Thornotosasso, FL 33592
 Ph: 813-982-9885 Fax: 813-982-2306

DWG.#13-0625.03

SHT. # 2 OF 7



TYPICAL TOP & BOTTOM RAIL JOINT FOR PICKETS

Approved as complying with the Florida Building Code
 Date 05/06/2014
 NOA# 13-0625.03
 Miami Code Product Control

By: [Signature]

WIND LOAD RATING

THIS FENCE, ITS VERTICAL SUPPORTS AND FOUNDATIONS, ARE IN COMPLIANCE WITH 2010 FLORIDA BUILDING CODE SEC.1615.2.1; ASCE 7-10 SEC.29.4.1. THIS FENCE IS APPROVED FOR SUSTAINED WIND VELOCITY OF 75MPH (115MPH FOR 3 SECOND GUST) WHEN THE MAXIMUM POST-CENTERS ("L") ARE LOCATED 72' ON CENTER.

PVC MATERIAL SPECIFICATIONS

1-40323-13-0101 (04216)

ASTM Cell Classification	Value	ASTM
Specific Gravity (± 0.02)	1.45	D-792
Izod Impact Ft/lbs/in notch	17.0	D-256
Tensile Yield Strength, PSI	6,200	D-638
Tensile Modulus, PSI	365,000	D-790
Flexural Yield Strength, PSI	12,000	D-790
Flexural Modulus, PSI	410,000	D-790
DTUL @ 264 PSI, Degrees Celsius	72	D-648
TiO ₂ - Titanium Dioxide UV Inhibitor	10/100	

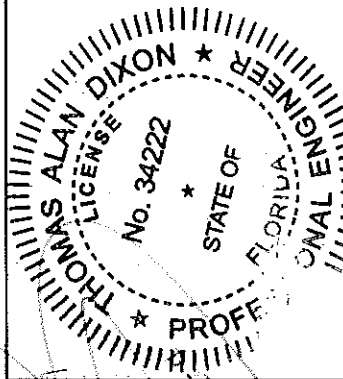
PVC FENCE
HAMPTON PANEL 72'X72', WHITE

SKU# 73014041

DATE : 9/21/2012

BARRETTE OUTDOOR LIVING
7830 FREEWAY CIRCLE
MIDDLEBURG/HEIGHTS, OH 44130
440-891-0790

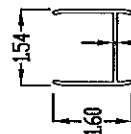
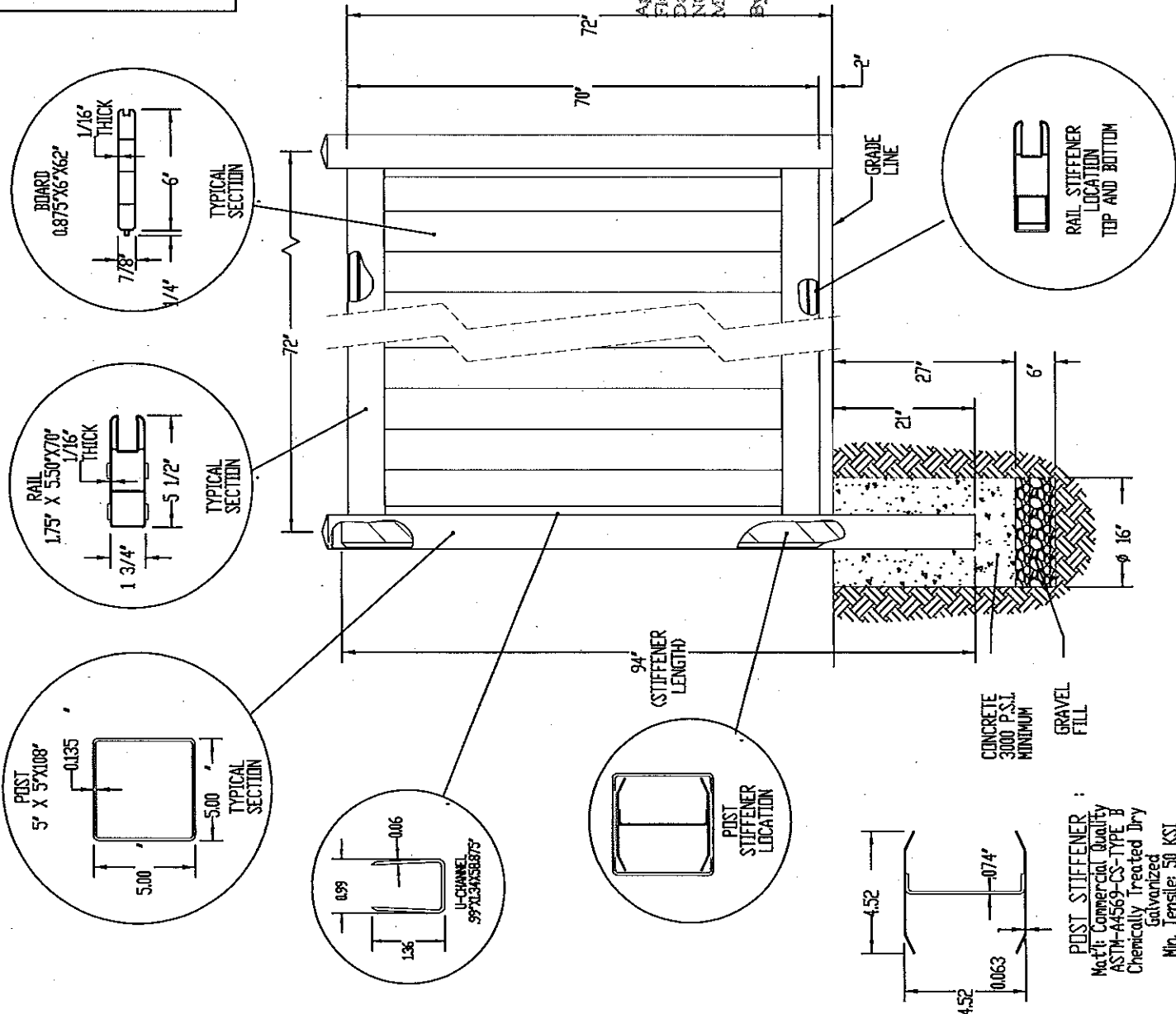
Approved as complying with the Florida Building Code
Date 05/08/2014
NOA# 13-0625-03
Miami Dade Product Control
By *[Signature]*



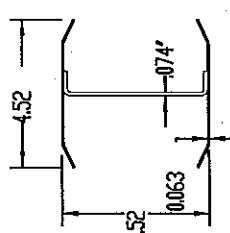
Thomas A. Dixon, P.E., S.I., S+S1
FL License No. 34222
Dixon Engineering & Inspection
FL Certificate of Authorization #8195
10410 Main St., Thomotosassa, FL 33592
Ph: 813-982-9885 Fax: 813-982-2306

DWG.#13-0625.03

SHT. # 3 OF 7



RAIL STIFFENER
Mat'l: ALUMINUM
6005-T5
1.54" X 1.60" X 70"
@ EACH TOP AND BOTTOM RAIL



POST STIFFENER
Mat'l: Commercial Quality
ASTM-A569-CS-TYPE B
Chemically treated Dry
Galvanized
Min. Tensile: 50 KSI
Min. Yield: 38 KSI
Min. Elongation: 20%

WIND LOAD RATING

THIS FENCE, ITS VERTICAL SUPPORTS AND FOUNDATIONS, ARE IN COMPLIANCE WITH 2010 FLORIDA BUILDING CODE SEC.1615.21; ASCE 7-10 SEC.29.4.1. THIS FENCE IS APPROVED FOR SUSTAINED WIND VELOCITY OF 75MPH (115MPH FOR 3 SECOND GUST) WHEN THE MAXIMUM POST CENTERS ("L") ARE LOCATED 72" ON CENTER.

PVC MATERIAL SPECIFICATIONS

ASTM Cell Classification	Value	ASTM
1-40323-13-001 (D4216)	1.45	D-792
	17.0	D-256
	6,200	D-638
	365,000	D-638
	12,000	D-790
	410,000	D-790
	72	D-648
	10/100	

PVC FENCE (PRE-BUILT PANEL STYLE)

6'X6' AMERICAN DOUGLAR SHADOWBOX 6" BRD

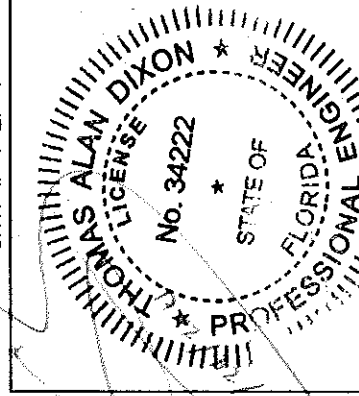
SKU# 73020872

DATE : 9/20/2012

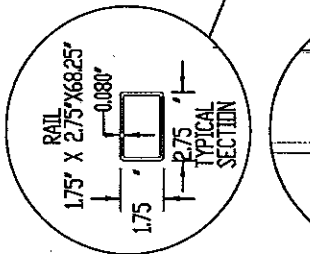
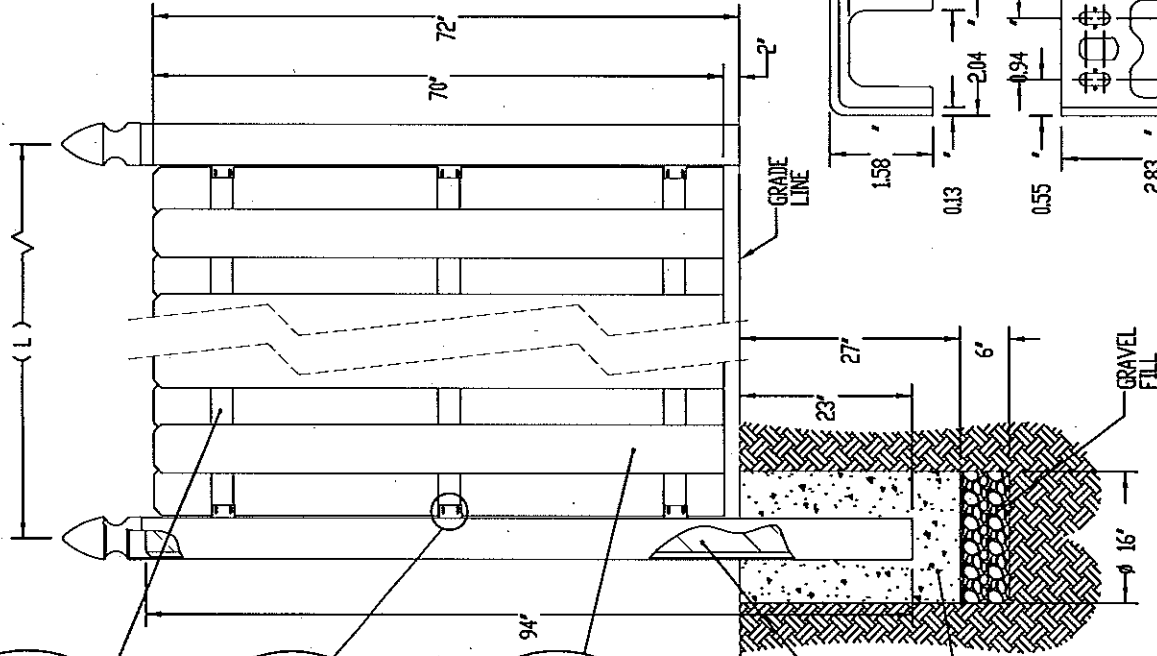
BARRETTE OUTDOOR LIVING
7830 FREEWAY CIRCLE
MIDDLEBURG HEIGHTS, OH 44130
440-891-0790

DWG.#13-0625.03

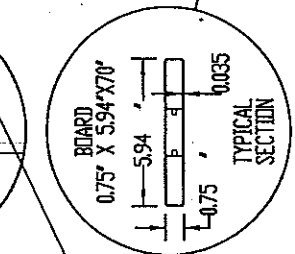
SHT. # 4 OF 7



Thomas A. Dixon, P.E., S.L., STS1
FL License No. 34222
Dixon Engineering & Inspection
FL Certificate of Authorization #8195
10410 Main St., Thoronotosus, FL 33592
Ph: 813-982-9885 Fax: 813-982-2306

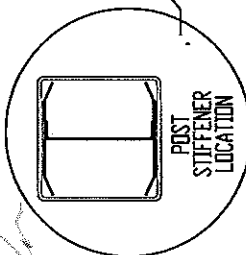


(4) #10 X 3/4" ALUMINUM SELF-DRILLING PANHEAD SQUARE DRIVE SCREWS INTO POST AND (2) INTO EXPOSED BRACKET SIDE OF RAIL

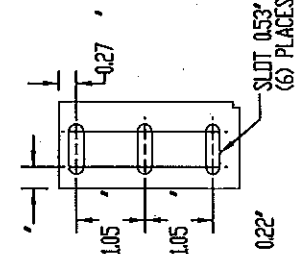


(2) #10 X 1-1/2" ALUMINUM SELF-DRILLING PANHEAD SQUARE DRIVE SCREWS DRIVEN THROUGH BOARD INTO BRACKET

Approved as complying with Florida Building Code
Date 09/20/2012
NOA# 13-0625.03
Miami Code Product Control
By *Thomas A. Dixon*



CONCRETE 3000 P.S.I. MINIMUM

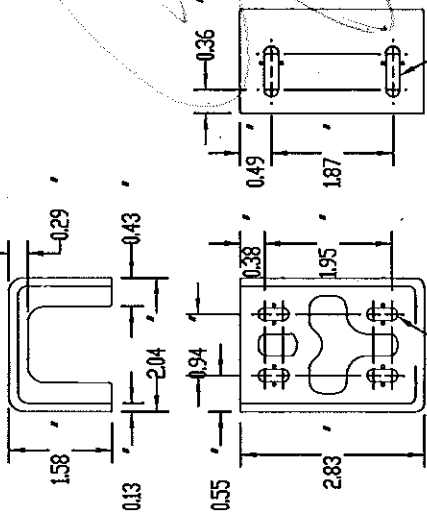


(4) #10 X 0.25" X 0.22" SLOTS (4) PLACES

FENCE RAIL HANGER BRACKET (ALUMINUM) ALUMINUM ALLOY (3003-H14) .075" THICK (GAGE)

(4) #10 X 0.28" X 0.20" SLOTS (4) PLACES

FENCE RAIL HANGER BRACKET (VINYL) INJECTION MOLDED PVC PLASTIC GEORGIA GULF UV 6670 PVC



WIND LOAD RATING

THIS FENCE, ITS VERTICAL SUPPORTS AND FOUNDATIONS, ARE IN COMPLIANCE WITH 2010 FLORIDA BUILDING CODE SEC.1615.2.1; ASCE 7-10 SEC.29.4.1. THIS FENCE IS APPROVED FOR SUSTAINED WIND VELOCITY OF 75 MPH (115 MPH FOR 3 SECOND GUST) WHEN THE MAXIMUM POST CENTERS ('L') ARE LOCATED 96" ON CENTER.

PVC MATERIAL SPECIFICATIONS

ASTM Cell Classification : 1-40323-13-0101 (D4216)

Specifications :	Value	ASTM
Specific Gravity (± 0.02) 0125" Specimen	1.45	D-792
Izod Impact FTlbs/in notch	17.0	D-256
Tensile Yield Strength, PSI	6,200	D-638
Tensile Modulus, PSI	365,000	D-638
Flexural Yield Strength, PSI	12,000	D-790
Flexural Modulus, PSI	410,000	D-790
T102 - Titanium Dioxide UV Initiator	72	D-648
	10/100	

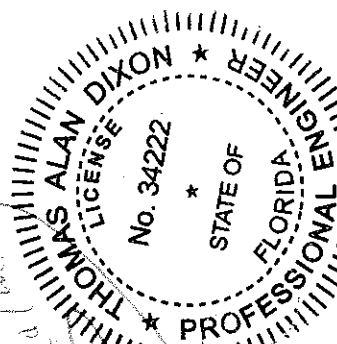
**PVC FENCE (PRE-BUILT PANEL STYLE)
6X8 LINDEN PRO PRIVACY PANEL**

Approved as complying with the Florida Building Code
Date 05/08/2014
NOA# 13-0625-03
Miami Dade Product Control

SKU# 73013028

DATE : 5/23/2012

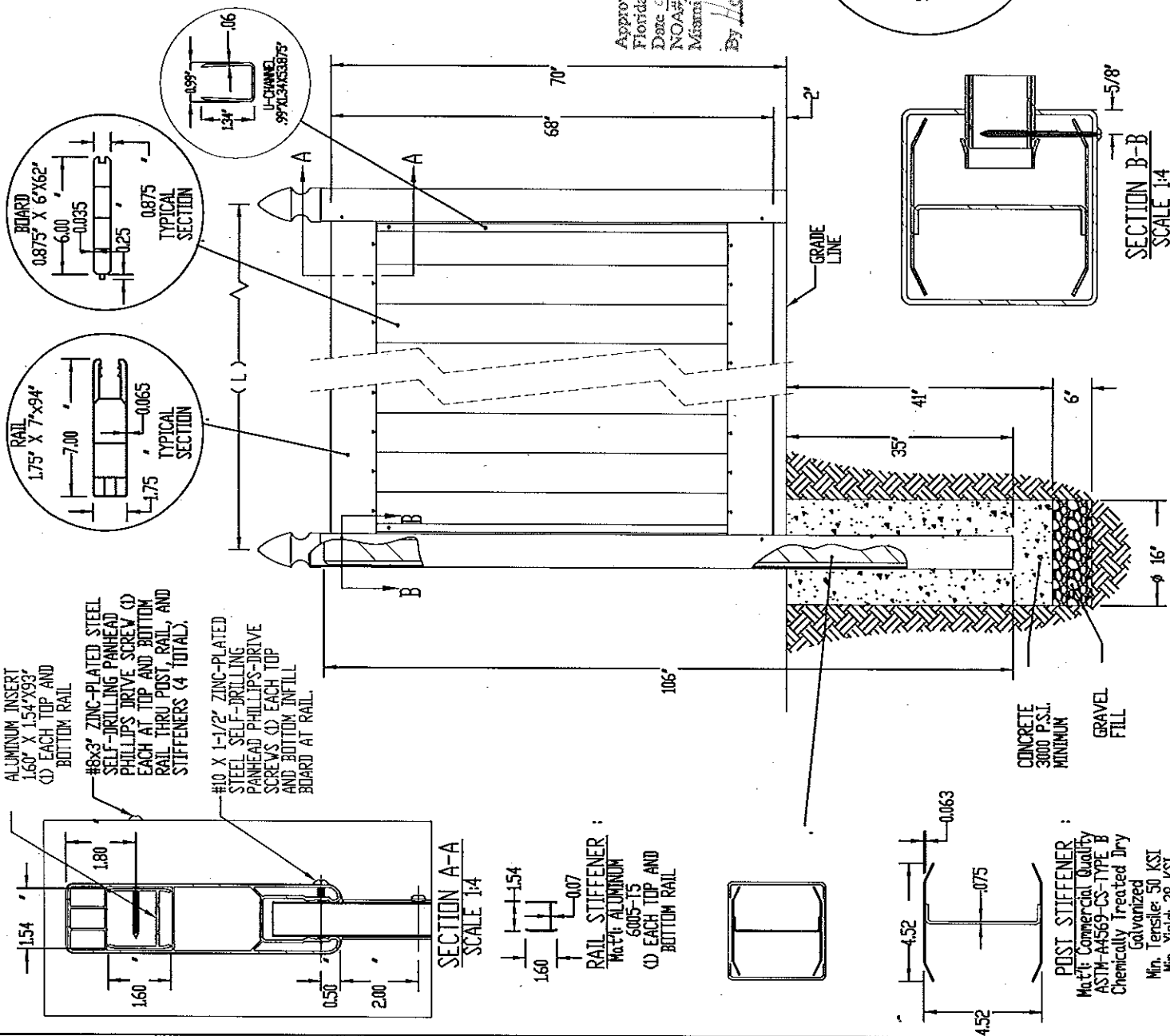
BARRETTE OUTDOOR LIVING
7830 FREEWAY CIRCLE
MIDDLEBURG HEIGHTS, OH 44130
440-891-0790



Thomas A. Dixon, P.E., S.L., S.C.S.I.
FL License No. 34222
Dixon Engineering & Inspection
FL Certificate of Authorization #8195
10410 Main St. Thomotossa, FL 33592
Ph: 813-982-9885 Fax: 813-982-2306

DWG.#13-0625.03

SHT. # 5 OF 7

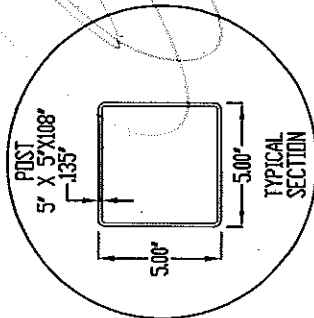


SECTION A-A
SCALE 1:4

RAIL STIFFENER :
Mat'l: ALUMINUM
6005-T5
Ø EACH TOP AND BOTTOM RAIL

POST STIFFENER :
Mat'l: Commercial Quality
ASTM-A4569-CS-TYPE B
Chemically Treated Dry Galvanized
Min. Tensile: 50 KSI
Min. Yield: 38 KSI
Min. Elongation: 20%

SECTION B-B
SCALE 1:4



WIND LOAD RATING

THIS FENCE, ITS VERTICAL SUPPORTS AND FOUNDATIONS, ARE IN COMPLIANCE WITH 2010 FLORIDA BUILDING CODE SEC.1615.2(1); ASCE 7-10 SEC.29.4.1. THIS FENCE IS APPROVED FOR SUSTAINED WIND VELOCITY OF 75 MPH (115 MPH FOR 3 SECOND GUST) WHEN THE MAXIMUM POST CENTERS ('L') ARE LOCATED 96' ON CENTER.

PVC MATERIAL SPECIFICATIONS

ASTM Cell Classification	Value	ASTM
1-40323-13-001 (D4216)	1.45	D-792
Specifications :	17.0	D-256
Specific Gravity (± 0.02) 0.125" Specimen	6.200	D-638
Izod Impact FT lbs/in notch	365.000	D-790
Tensile Yield Strength, PSI	12.000	D-790
Tensile Modulus, PSI	410.000	D-648
Flexural Yield Strength, PSI	72	
Flexural Modulus, PSI	107/100	
DTUL E264 PSI, Degrees Celsius		
T102 - Titanium Dioxide UV Inhibitor		

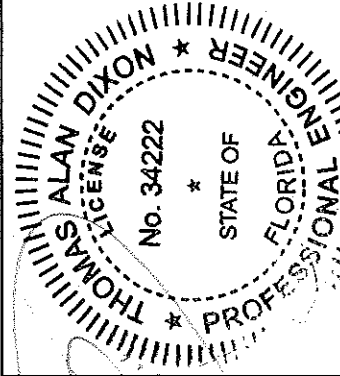
Approved as complying with the Florida Building Code Dec 05/08/2014 NCA#13-0625.03 Miami Dade Product Control

SKU# 73013949

DATE : 5/23/2012

BARRETTE OUTDOOR LIVING
7830 FREEWAY CIRCLE
MIDDLEBURG HEIGHTS, OH 44130
440-891-0790

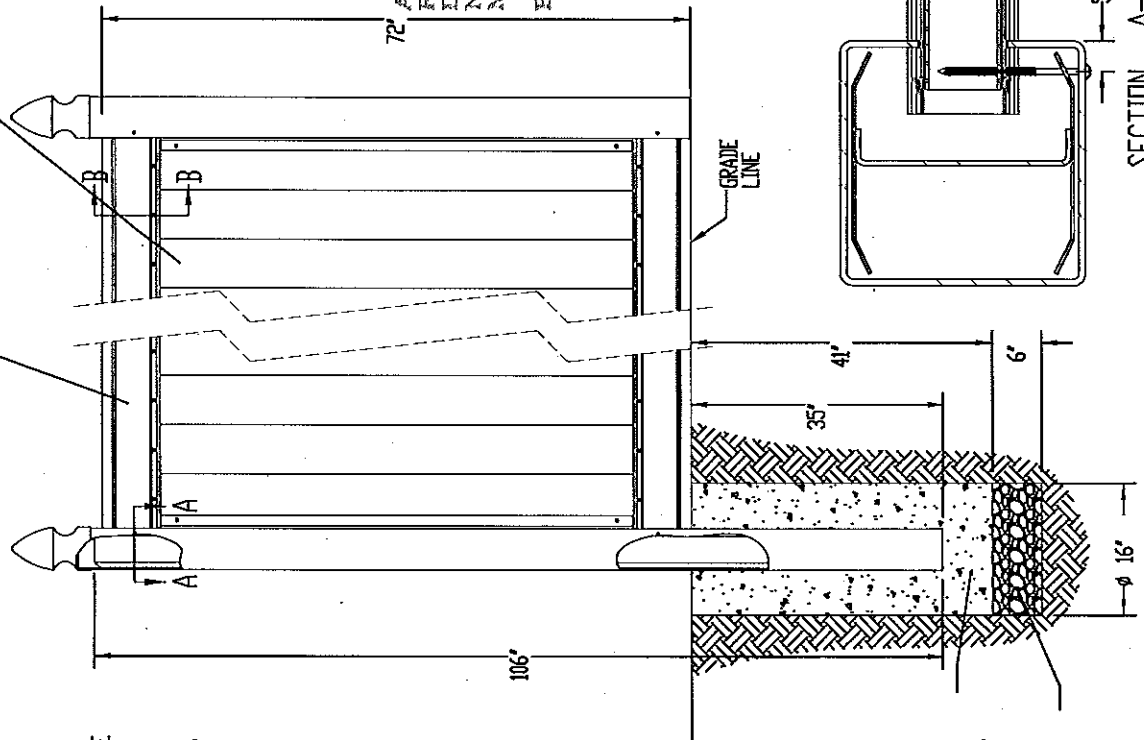
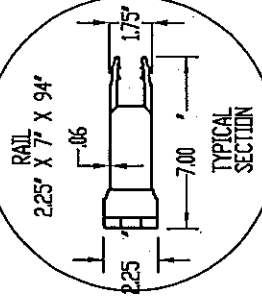
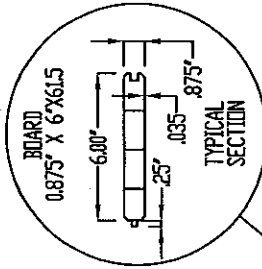
PVC FENCE (PRE-BUILT PANEL STYLE)
6X8 EVERTON PRIVACY KIT WHITE



Thomas A. Dixon, P.E., S.I., STSI
FL License No. 34222
Dixon Engineering & Inspection
FL Certificate of Authorization #8195
10410 Main St. Thoronotasso, FL 33592
Ph: 813-982-9885 Fax: 813-982-2306

DWG.#13-0625.03

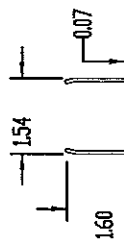
SHT. # 6 OF 7



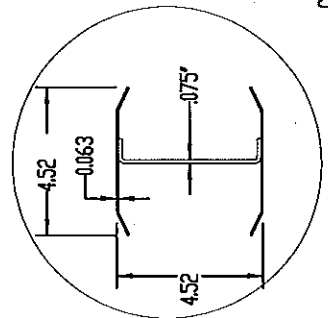
ALUMINUM INSERT
1.60\"/>

#10 X 1-1/2\"/>

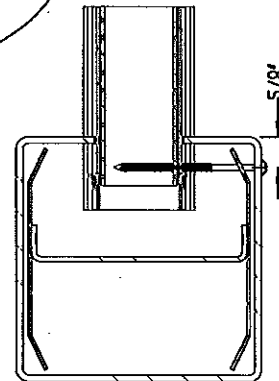
SECTION B-B
SCALE 1 : 4



RAIL STIFFENER
MATERIAL: ALUMINUM
6005-T5
Ø EACH TOP AND BOTTOM RAIL



POST STIFFENER:
Mat'l: Commercial Quality
ASTM-A4569-CS-TYPE B
Chemically Treated Dry
Galvanized
5\"/>



SECTION A-A
SCALE 1 : 4

CONCRETE
3000 P.S.I.
MINIMUM

GRAVEL
FILL

WIND LOAD RATING

THIS FENCE, ITS VERTICAL SUPPORTS AND FOUNDATIONS, ARE IN COMPLIANCE WITH 2010 FLORIDA BUILDING CODE SEC.1615.2.1; ASCE 7-10 SEC.29.4.1. THIS FENCE IS APPROVED FOR SUSTAINED WIND VELOCITY OF 75MPH (115MPH FOR 3 SECOND GUST) WHEN THE MAXIMUM POST CENTERS ("L") ARE LOCATED 72" ON CENTER.

PVC MATERIAL SPECIFICATIONS

ASTM Cell Classification : I-40323-13-0101 (D4216)

Specifications :	Value	ASTM
Specific Gravity (± 0.02) 0.125" Specimen	1.45	D-792
Izod Impact Ft/lbs/in notch	17.0	D-256
Tensile Yield Strength, PSI	6,200	D-638
Tensile Modulus, PSI	365,000	D-638
Flexural Yield Strength, PSI	12,000	D-790
Flexural Modulus, PSI	410,000	D-790
TULZ64 PSI, Degrees Celsius	72	D-648
TR02 - Titanium Dioxide UV Inhibitor	10/100	

PVC FENCE
 FREEPOR PANEL 72"x72", WHITE

SKU# 73014038

DATE : 9/21/2012

BARRETTE OUTDOOR LIVING
 7830 FREEWAY CIRCLE
 MIDDLEBURG HEIGHTS, OH 44130
 440-891-0790

Approved as complying with the Florida Building Code
 Date 09/25/2014
 NOA# 13-0625-07
 Mount Dede Product Control
 By: *[Signature]*

Professional Engineer
 FLORIDA
 State of
 License No. 34222
 ALAN DIXON
 Thomas A. Dixon, P.E., S.L., S.T.S.I.
 FL License No. 34222
 Dixon Engineering & Inspection
 FL Certificate of Authorization #8195
 10410 Main St., Thomatosa, FL 33592
 Ph: 813-982-9885 Fax: 813-982-2306

DWG.#13-0625.03
 SHT. # 7 OF 7

